



DC 3 phase Surge Arrester

High quality DC 3 phase Surge Arrester made in China.

DC 3 phase Surge Arresters protect against lightning surge voltages in solar system (photovoltaic power supply system).

These units must be installed in parallel on the DC networks to be protected and provide common and different modes protection. Its installed location are recommended at both ends of the DC power supply line (solar panel side and inverter/converter side), especially if the line routing is external and long. High energy MOVs equipped with specific thermal disconnectors and related failure indicators.

High quality DC 3 phase Surge Arrester made in China

1.3 phase Surge Arrester Application of DC 3 phase Surge Arrester

DC 3 phase Surge Arrester manufacturer , protect against lightning surge voltages in solar system (photovoltaic power supply system).

These units must be installed in parallel on the DC networks to be protected and provide common and different modes protection. Its installed location are recommended at both ends of the DC power supply line (solar panel side and inverter/converter side), especially if the line routing is external and long.

High energy MOVs equipped with specific thermal disconnectors and related failure indicators.

2.3 phase Surge Arrester Features of DC 3 phase Surge Arrester

- 1.Indicator window is obvious (green is OK, red indicates failure)
2. Fully enclosed terminal
3. The shell is made of PC flame retardant material, fire insulation
4. Replaceable module

3.Product Parameter (Specification) of DC 3 phase Surge Arrester

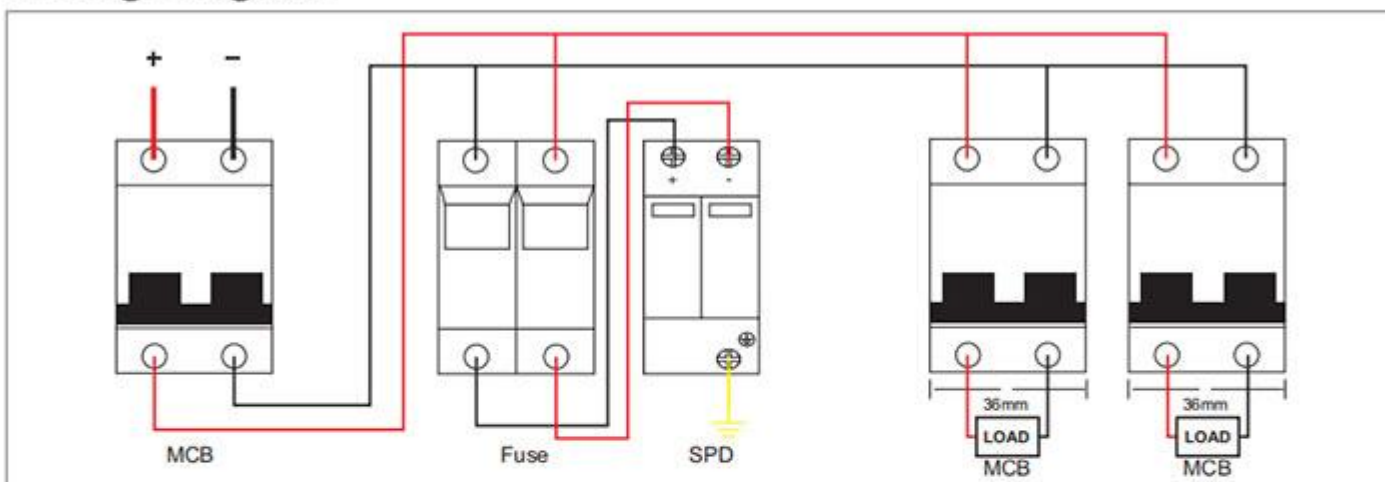
Model	DC 3P 40KA 1000V Surge Arrester
-------	---------------------------------

Pole	3P
Uoc max (V DC)	1000V
Uc (V DC)	1000V
In(8/20)us(kA)	20
Imax(8/20)us(kA)	40
Up (kV)	3.2

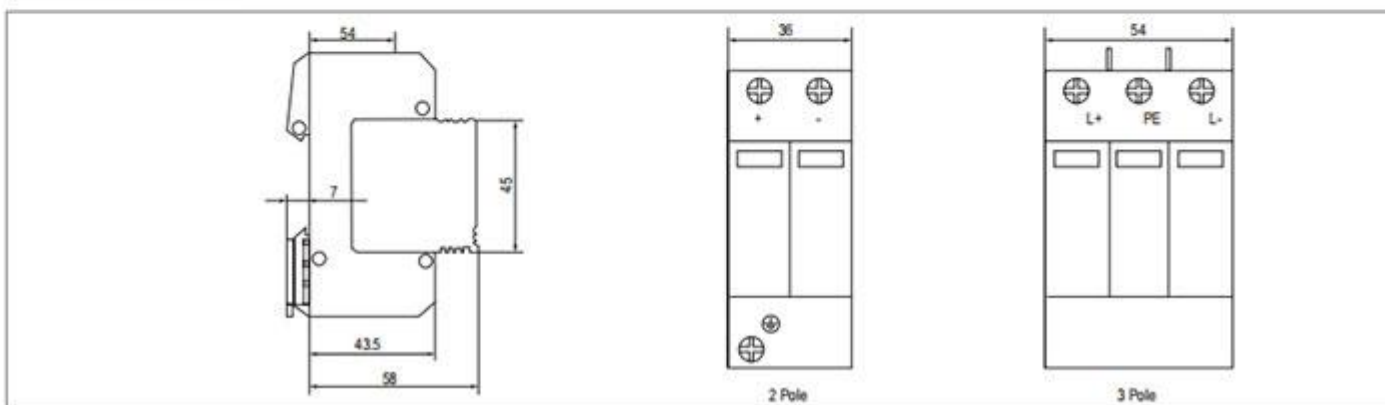
Technology	Short-Circuit Interruption(SCI) Overcurrent Protection
Response Time(TA)	<25ns
Wiring capacity	Hard wire:4--25
	Flexible wire:4--16
Striping length	10
Terminal screw	M5
Torque(Nm)	Main circuit:3.5
	Remote singal control:0.25
Protection class	All profile:IP40
	Connection port:IP20
Installation environment	No obvious shock and cibration
Working Temperature	- 40℃to80℃
Standards Informations	IEC 61643-31 Type 2, IEC 61643-1 Class II
Mounting	35MM Din rail

Type2 Solar DC Surge Protective Device (DC SPD)

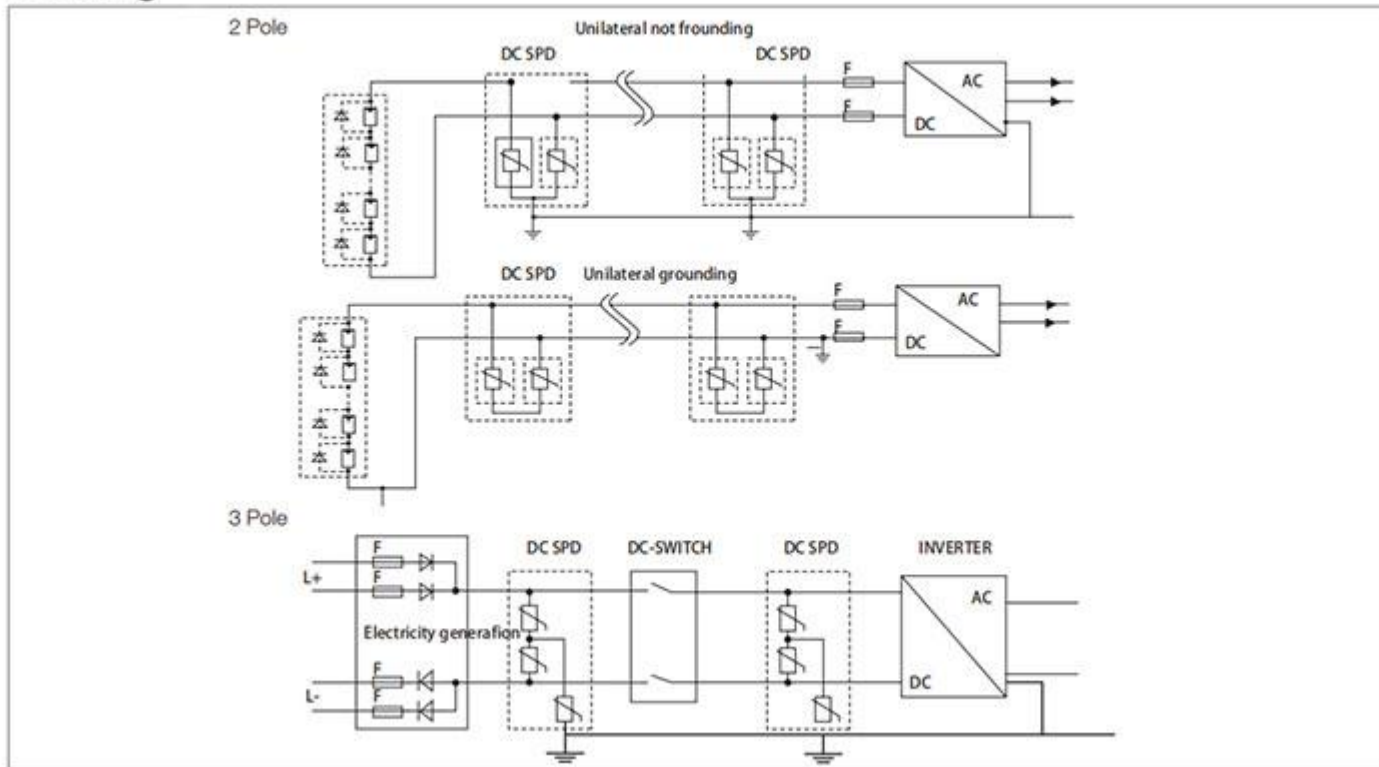
Wiring Diagram



Dimension



Drawing



4.FAQ of DC Surge Arrester

Q:When I can receive quotation and detail information after send the enquiry?

A:Reply will be sent in 24hours.

Q:What's the difference between you and other suppliers?

A:We have our own design box with PC/ABS material.

Q:Do you provide samples ? is it free or extra ?

A:Yes, we could offer the sample for free charge but do not pay the cost of freight.

Q:Can I get a sample for test before place order?

A:Of course!

Q:How's the delivery?Because I really need them is urgently?

A:Samples cost 2-3 days. Bulk order cost 12-15 days.



www.ylongelec.com

Q:If i want to release order, what's the payment method you accept ?

A:We accept T/T, Western union, Trade Assurance.