



## **DC Surge Protection Device**

High quality DC Surge Protection Device made in China.

DC Surge Protection device supplier is suitable for the new energy solar power generation system, working voltage of 1000V. Installation position in the total power supply DC circuit systems, direct, indirect lightning current of lightning current or other transient over voltage protection. <br> Yuelong Electric(GHX) is a large-scale DC Surge Protection device manufacturer and supplier in China. We have exported in the field of DC Surge Protection device for many years. Our GHX brand have a good price advantage and hot selling in the Southeast Asia, India, Poland markets. We look forward to becoming your long-term partner in China.

## **China Quality Customized Dc Surge Protection Device Manufacturers and Suppliers**

### **1.Features of Dc Surge Protection Device**

- 1.Remote communication alarm interface
- 2.High quality pressure sensitive resistance, stable performance
- 3.Indicate deterioration module : green (normal),red (failure).
- 4.Temperature control breaker, build-in over currents fuse protector.
- 5.Small leakage power, long work life, simple maintenance.

### **2.Application of Dc Surge Protection Device**

Electric box, floor distribution box; all power distribution equipment of lightning proof protection, including communication equipment, television broadcasting, computer room, automatic control and mechanical equipment etc.

### **3.Product Parameter (Specification) of Dc Surge Protection Device**

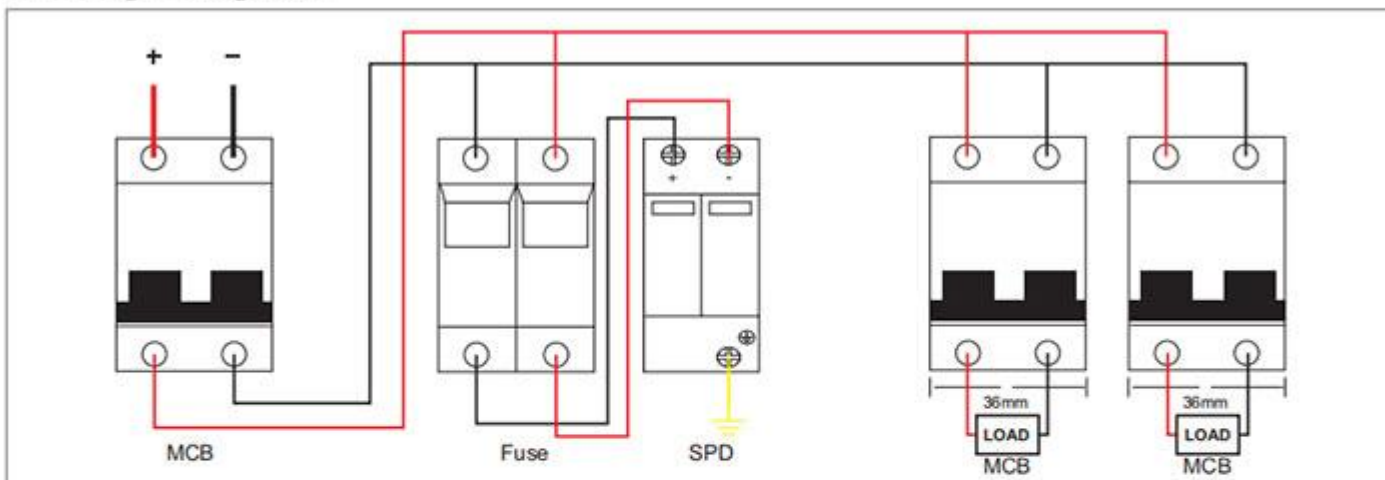
Model	DC Surge Protector 2P 40KA 600V
Pole	2P
Uoc max (V DC)	600V
Uc (V DC)	600V
In(8/20)us(kA)	20

I <sub>max</sub> (8/20)us(kA)	40
U <sub>p</sub> (kV)	2.5

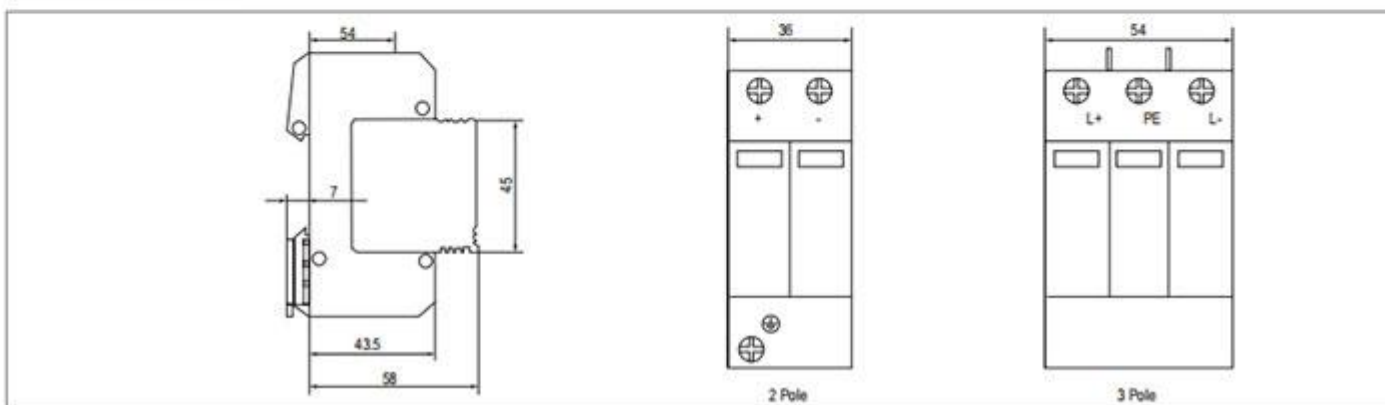
Technology	Short-Circuit Interruption(SCI) Overcurrent Protection
Response Time(TA)	< 25ns
Wiring capacity	Hard wire:4--25
	Flexible wire:4--16
Striping length	10
Terminal screw	M5
Torque(Nm)	Main circuit:3.5
	Remote singal control:0.25
Protection class	All profile:IP40
	Connection port:IP20
Installation environment	No obvious shock and cibration
Working Temperature	- 40℃to80℃
Standards Informations	IEC 61643-31 Type 2, IEC 61643-1 Class II

## Type2 Solar DC Surge Protective Device (DC SPD)

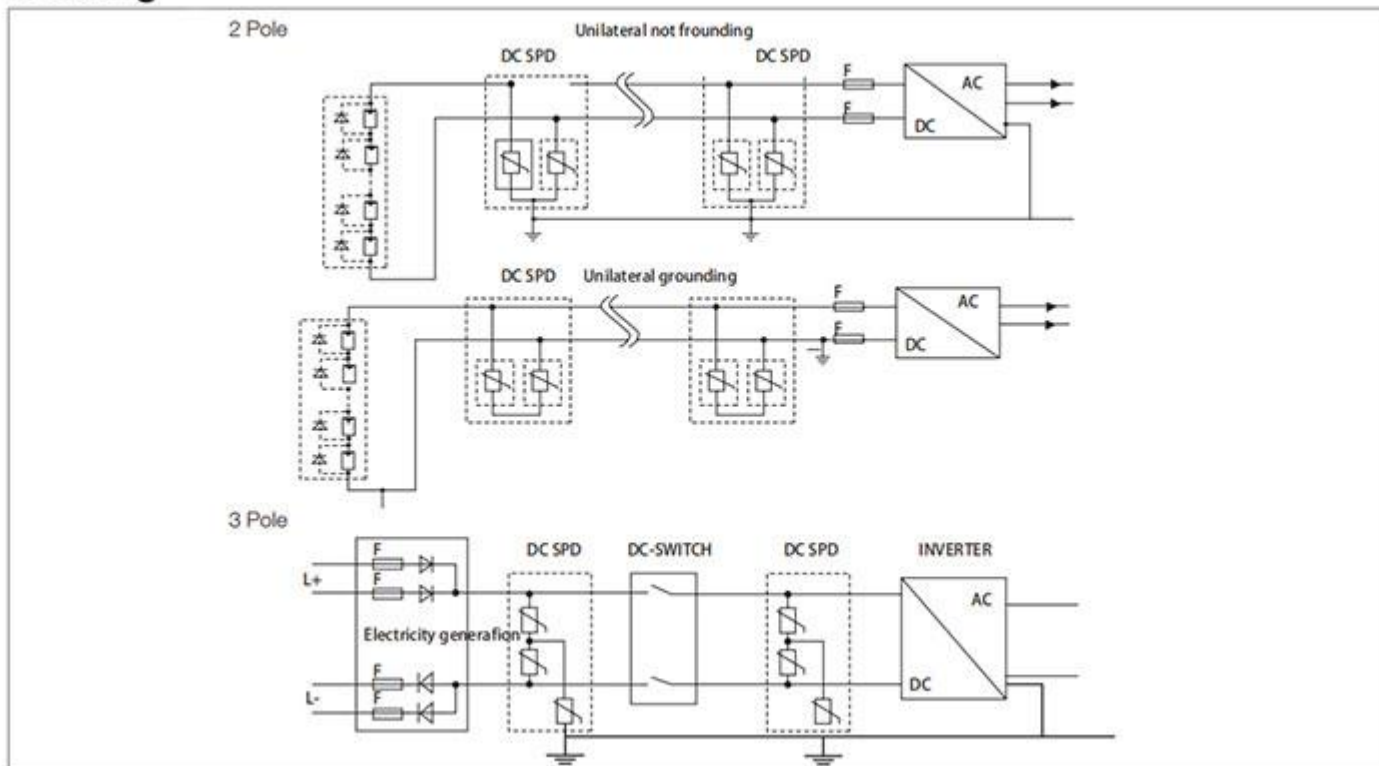
### Wiring Diagram



### Dimension



## Drawing



## 4.FAQ of Dc Surge Protection Device

**Q:When I can receive quotation and detail information after send the enquiry?**

A:Reply will be sent in 24hours.

**Q:What's the difference between you and other suppliers?**

A:We have our own design box with PC/ABS material.

**Q:Do you provide samples ? is it free or extra ?**

A:Yes, we could offer the sample for free charge but do not pay the cost of freight.

**Q:Can I get a sample for test before place order?**

A:Of course!

**Q:How's the delivery?Because I really need them is urgently?**

A:Samples cost 2-3 days. Bulk order cost 12-15 days.

**Q:If i want to release order, what's the payment method you accept ?**

A:We accept T/T, Western union, Trade Assurance.

**GHX<sup>®</sup>**

[www.ylongelec.com](http://www.ylongelec.com)

**Tel:**+86-13858881592

**Email:**[ceo@ylongelec.com](mailto:ceo@ylongelec.com)