



Solar Surge Protector

Wholesale low price Solar Surge Protector made in China.

YL5-PV Solar Surge Protector, protect against lightning surge voltages in solar system (photovoltaic power supply system).

These units must be installed in parallel on the DC networks to be protected and provide common and different modes protection. Its installed location are recommended at both ends of the DC power supply line (solar panel side and inverter/converter side), especially if the line routing is external and long. High energy MOVs equipped with specific thermal disconnectors and related failure indicators.

Wholesale low price Solar Surge Protector made in China.

YL5-PV Solar Surge Protector, protect against lightning surge voltages in solar system (photovoltaic power supply system).

These units must be installed in parallel on the DC networks to be protected and provide common and different modes protection. Its installed location are recommended at both ends of the DC power supply line (solar panel side and inverter/converter side), especially if the line routing is external and long.

High energy MOVs equipped with specific thermal disconnectors and related failure indicators.

1. Products features of Solar Surge Protector

1. Indicator window is obvious (green is OK, red indicates failure)
2. Fully enclosed terminal
3. The shell is made of PC flame retardant material, fire insulation
4. Replaceable module

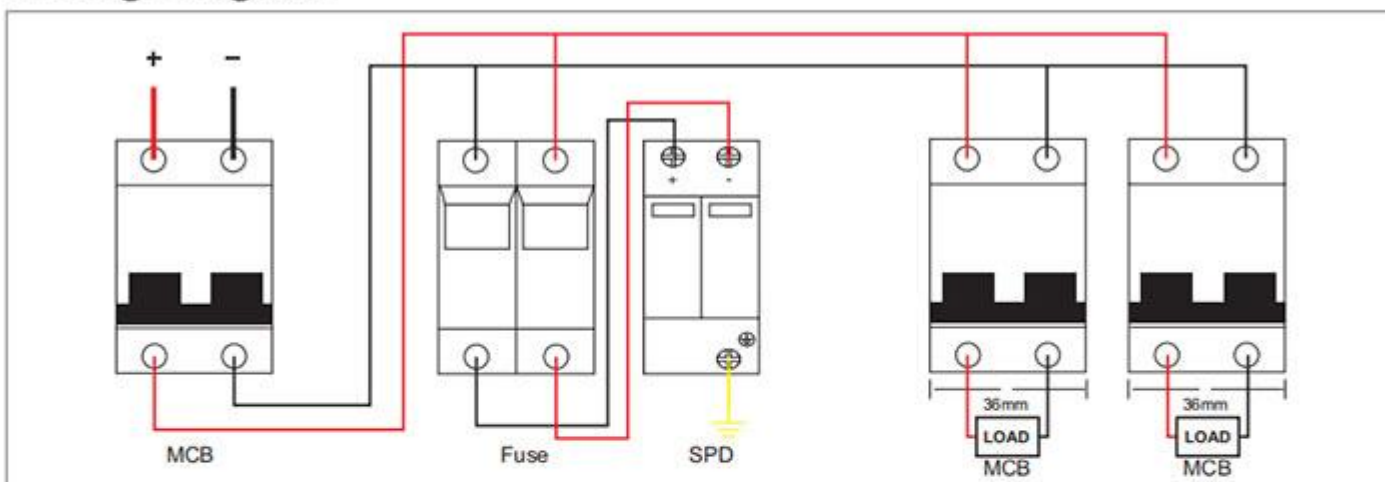
2. Technical data of Solar Surge Protector

Voltage(max. continuous voltage)	Uc	1500Vdc
Nominal discharge current(8/20μs)	In	20kA
Max. discharge current(10/350μs)	Imax	50kA
voltage protection level	Up	≤3.2kV

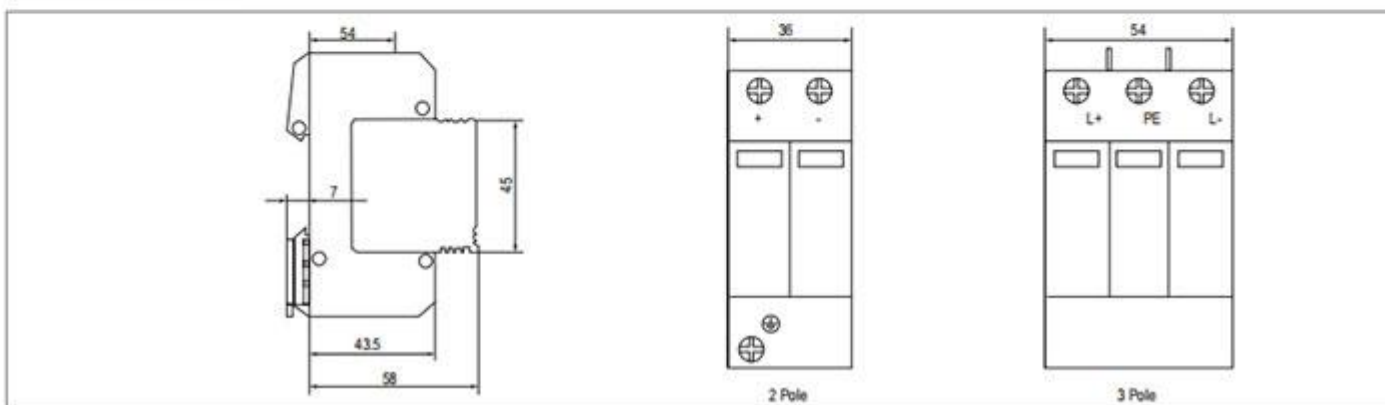
Response time	tA	≤25ns(L-N)
Max.Back up fuse		125AgL/gG
Operating Temperature range	Tu	-40~80℃
Cross-sectional area		1.5mm ² ~25mm ² solid/35mm ² flexible
Mounting on		35 DIN rail
Enclosure material		Purple module & light gray,UL94-V0
Dimension		4mods
Type of remote signaling capacity		Switching contact
Switching Capacity		AC:250V/0.5A; DC:250V/0.1A; 125V/0.2A; 75V/0.5A
Cross sectional area for remote signaling contact		Max.1.5mm ² solid/flexible
Test standards		GB 18802.1; IEC 61643-1

Type2 Solar DC Surge Protective Device (DC SPD)

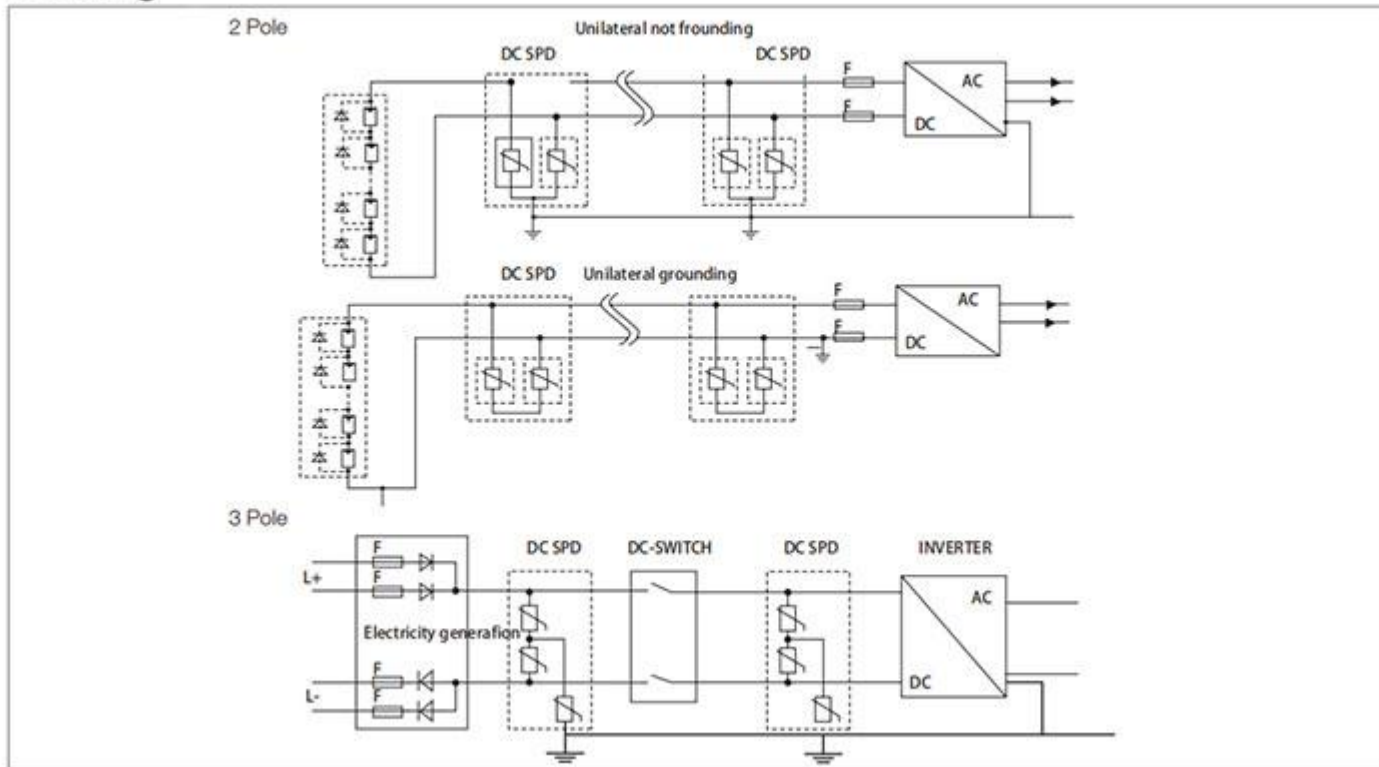
Wiring Diagram



Dimension



Drawing



3.FAQ of Solar Surge Protector

Q1:If I'm interested in your product when I can receive your quotation and detail information after send the inquiry?

A1:All your inquiry will be replied in 24hours.

Q2:Can I get a sample before the order because I really don't how is your product quality?

A2:Of course! We can offer free samples , We think sample order is the best way to build the trust. Please send the inquiry to us and get the free sample!

Q3:Do you have a catalog? Can you send me the catalog to have a check of all your products?

A3:Yes, We have product catalog. Please contact us on line or send an Email to sending the catalog.

Q4:I need your price list of all your products, do you have a price list?

A4:Surely ,we can send the price list to you ,please send your email address to me.

Q5:Do you accept OEM business?



www.ylongelec.com

A5:We accept OEM with your authorization.we also can ODM for you.

Q6:How's the delivery?Because I really need them is urgently?

A6:Samples cost 2-3 days. Bulk order cost 7-15 days.

Q7:What is your terms of delivery?

A7:EXW, FOB, CFR, CIF, DDU.

Q8:Do you test all your goods before delivery?

A8:Yes, we have 100% test before delivery

Q9:Any quality guarantee or after-sales service?

A9:All the products have 2-4 years' Guarantee. If any quality complaint , we will give out solution within 5 days.